

PNC	Type/Prefix/ML	Model	Brand
953900257	02	PROMAC 33	McCULLOCH
953900457	02	P 33	PARTNER
953900651	02	SCS 33-30P	SCS

Number of Pages 1 of 4

Factory: IIQ - Valmadrera	Product Group: OP 93
Publication Number: MIPL2006_V380000001	Petrol Portable
Publication Date: 19/09/06	Sub Group 9430

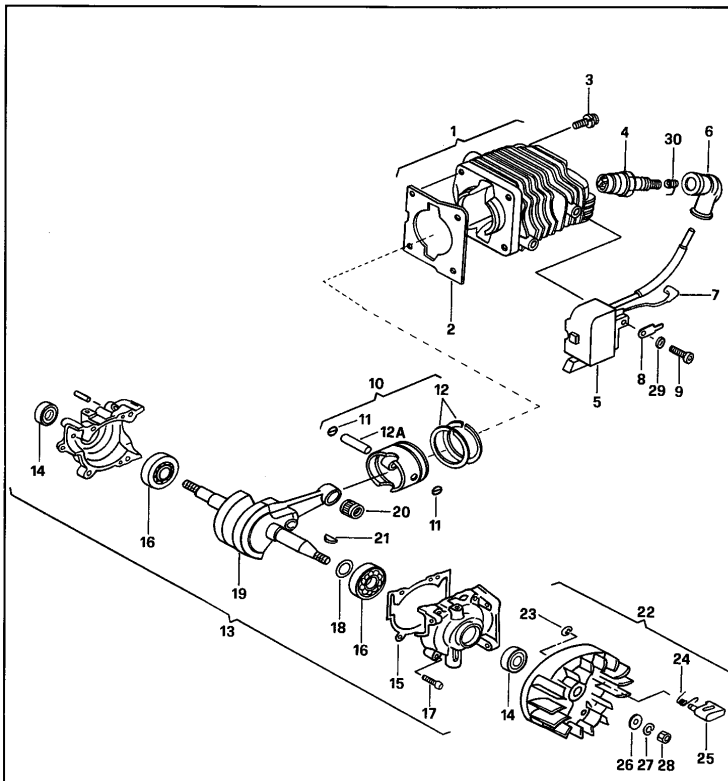


FIGURE 1

	PN ELX	PN McC	
C 1	538000170	X 001-0174G-90	1
B 2	538000171	X 017-0174G-20	1
3	538000048	994-14050-161	M5x16 4
A 4	538000049	018-00562-20	1
C 5	538000050	167-21540-80	1
6	538235922	235922	1
7	538000051	178-01740-80	1
8	538000052	205-01700-20	1
9	538235801	235801	M4x16 2
C10	538000053	030-01741-90	1
11	538000054	039-00000-20	2
B12	538000055	041-01730-20	2
12A	538000056	037-01400-20	1
13	538000172	X 072-01740-94	1
C14	538000058	999-66122-206	2
15	538000173	X 090-0174G-20	1
16	538000060	999-61620-106	2
17	538000061	994-14050-201	M5x20 4
18	538000062	071-04063-21	1
19	538000063	046-01740-80	1
20	538000064	999-62091-325	1
21	538000065	068-10100-20	1
22	538000066	155-21540-90	1
C23	538000067	993-55040-001	2
C24	538000068	790-01740-20	2
C25	538000069	788-01740-20	2
26	538000070	992-01070-011	1
27	538000071	992-10070-012	1
28	538000072	066-00000-20	1
29	538235612	235612	2
30	538235433	235433	1

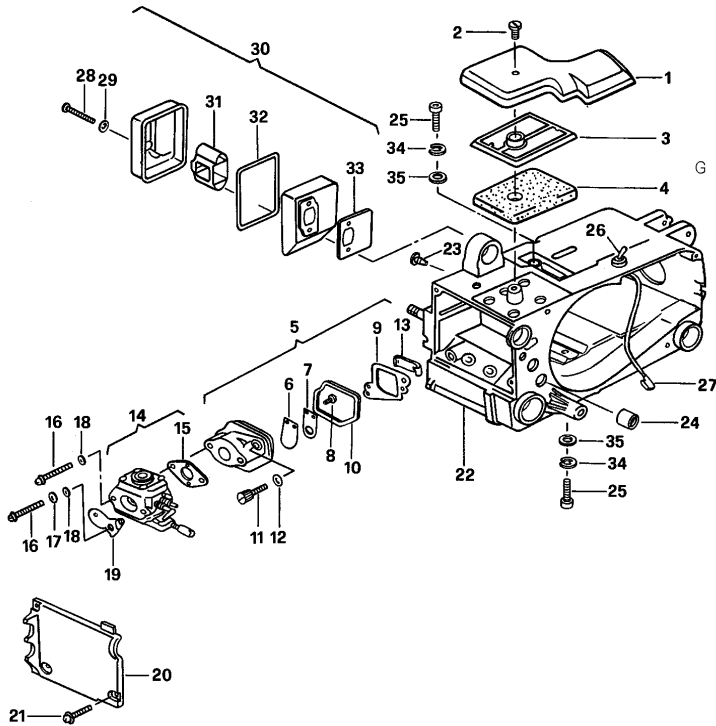


FIGURE 2

	PN ELX	PN McC	
1	538242073	242073	1
2	538000073	380-0631A-20	1
B 3	538000074	420-01740-80	1
B 4	538242086	242086	1
B 5	538000174	X 404-0174G-90	1
A 6	538000175	X 394-0174G-20	1
A 7	538000176	X 395-0174G-20	1
8	538000078	990-15030-121	M3x12 2
A 9	538000177	X 403-0174G-20	1
A10	538000079	409-01700-20	1
11	538000081	994-61050-204	M5x20 2
12	538235248	235248	2
13	538000082	129-01730-20	1
C14	538000083	455-32915-90	1
A15	538000084	402-01740-20	1
16	538235807	235807	M5x45 2
17	538235248	235248	1
18	538000085	708-32350-20	2
19	538000086	700-32710-20	1
20	538000087	152-3291J-21	1
21	538000088	990-75045-144	3
22	538000089	560-32950-90	1
23	538000090	562-04060-20	1
24	538000091	645-01750-90	1
25	538235806	235806	M5x20 4
26	538000092	162-01740-90	1
27	538000093	274-01700-80	1
28	538235919	235919	M5x40 2
29	538235248	235248	2
30	538000094	704-01741-90	1
31	538000095	724-01709-20	1
C32	538000096	739-01709-20	1
C33	538000097	737-01700-20	1
34	538236529	236529	4
35	538235248	235248	4

A=ALTA ROTAZIONE
 B=MEDIA ROTAZIONE
 C=ALTA ROTAZIONE
 X = NUOVI CODICI

A=HIGH MOVING
 B=MEDIUM MOVING
 C=SLOW MOVING
 X = NEW PN

A=HAUTE DEMANDE
 B=MOYENNE DEMANDE
 C=BASSE DEMANDE
 X = NOUVELLES PN

A=GROBE NACHFRAGE
 B=MITTELMAESSIGE
 C=WENIGE NACHFRAGE
 X= NEU CODEX

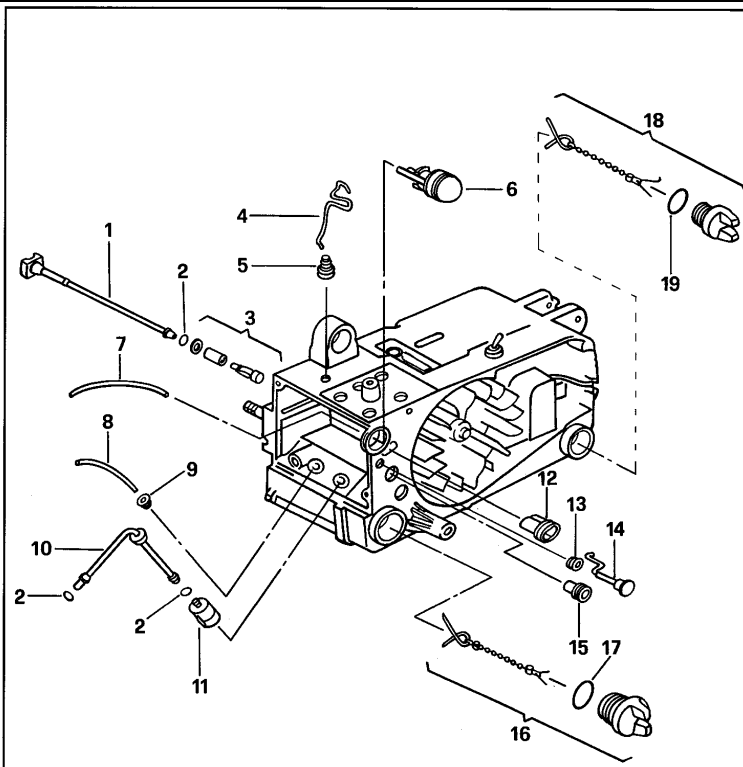


FIGURE 3

	PN ELX	PN McC	
B 1	538000098	505-32710-20	1
2	538000099	680-04019-21	3
B 3	538000101	486-32710-90	1
4	538000102	490-32910-20	1
5	538000103	491-32710-20	1
B 6	538000104	442-25143-80	1
C 7	538000105	700-02504-04	1
C 8	538000106	700-02504-15	1
9	538000107	534-32710-20	1
B 10	538000108	678-01740-20	1
A 11	538000109	675-11600-90	1
12	538000110	190-32710-20	1
13	538000111	707-32710-20	1
C 14	538000112	704-32710-80	1
15	538000113	191-32710-20	1
B 16	538000114	635-32719-90	1
C 17	• 538000115	999-67020-000	1
B 18	538000116	642-32719-90	1
C 19	• 538000117	999-67018-000	1

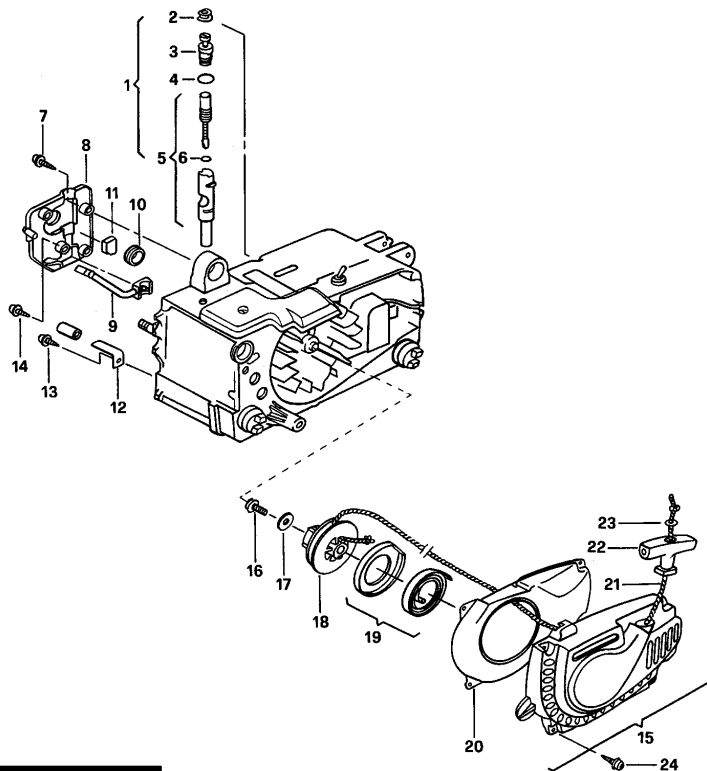


FIGURE 4

	PN ELX	PN McC	
B 1	538000118	144-32902-90	1
B 2	• 538000119	488-32710-21	1
B 3	• 538000120	501-32710-21	1
B 4	• 538000121	999-67006-000	1
B 5	• 538000122	088-3277A-91	1
B 6	•• 538000121	999-67006-000	1
7	538240688	240688	M5x14 2
8	538000124	097-32900-20	1
C 9	538000125	515-32710-20	1
10	538000126	084-32900-20	1
11	538000127	567-01700-20	1
12	538000128	125-32710-20	1
13	538000129	990-72050-144	1
14	538000088	990-75045-144	2
C 15	538242088	242088	1
16	• 538000129	990-72050-144	1
17	• 538000132	368-32350-20	1
B 18	• 538000133	774-01740-20	1
B 19	• 538000134	778-01740-90	1
20	• 538000135	145-01743-20	1
A 21	• 538241746	241746	1
22	• 538241778	241778	1
23	• 538235612	235612	1
24	538000140	990-72045-204	4

A=ALTA ROTAZIONE
 B=MEDIA ROTAZIONE
 C=ALTA ROTAZIONE
 X = NUOVI CODICI

A=HIGH MOVING
 B=MEDIUM MOVING
 C=SLOW MOVING
 X = NEW PN

A=HAUTE DEMANDE
 B=MOYENNE DEMANDE
 C=BASSE DEMANDE
 X = NOUVELLES PN

A=GROBE NACHFRAGE
 B=MITTELMAESSIGE
 C=WENIGE NACHFRAGE
 X= NEU CODEX

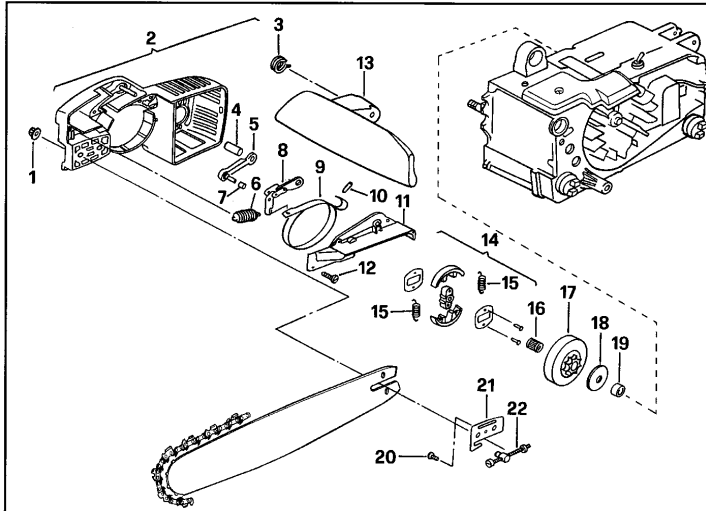


FIGURE 5

	PN ELX	PN McC	
A 1	538227762	227762	1
C 2	538242090	242090	1
3	● 538000136	388-32900-20	1
4	● 538000137	470-10246-20	1
5	● 538000123	386-32901-80	1
6	● 538000130	374-32900-20	1
7	● 538000131	031-32901-20	1
B 8	● 538000139	379-32901-80	1
C 9	● 538000141	378-32900-20	1
10	● 538229394	229394	1
11	● 538000142	375-32900-210	1
12	● 538241077	241077	3
13	● 538242069	242069	1
C 14	● 538000143	287-01700-81	1
B 15	● 538000144	342-01700-20	2
B 16	● 538000145	999-62101-301	1
B 17	● 538000146	310-32710-20	1
18	● 538000147	358-04050-20	1
19	● 538000148	511-32900-20	1
20	● 538000149	993-41040-101	1
C 21	● 538000150	466-32710-21	1
B 22	● 538000151	116-32735-90	1

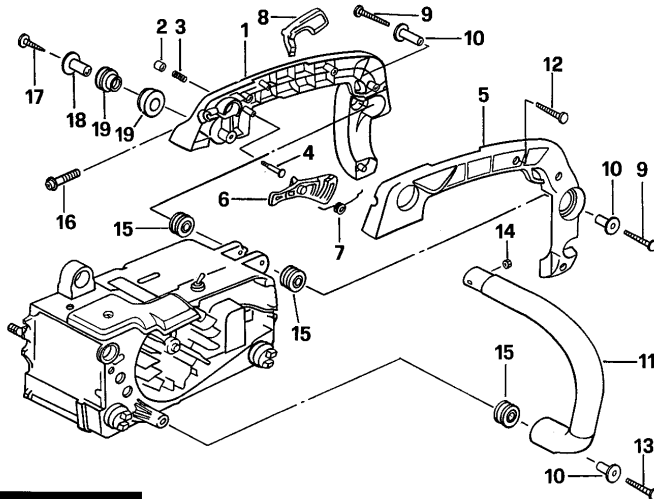


FIGURE 6

	PN ELX	PN McC	
1	538242153	242153	1
2	● 538000152	725-32902-20	1
3	● 538242091	242091	1
4	● 538000153	064-32530-20	1
5	538242071	242071	1
C 6	● 538000154	060-32930-20	1
7	● 538242092	242092	1
C 8	● 538000155	257-32930-20	1
9	● 538000156	990-73050-354	2
10	● 538000157	276-32710-20	3
11	● 538000158	209-3291J-20	1
12	● 538241077	241077	3
13	● 538000156	990-73050-354	1
14	● 538000159	991-78040-10	1
C 15	● 538000160	266-32750-20	3
16	● 538000161	994-15040-302 M4x30	1
17	● 538000162	990-73050-404	1
18	● 538000163	275-32710-20	1
C 19	● 538000164	219-32750-20	2

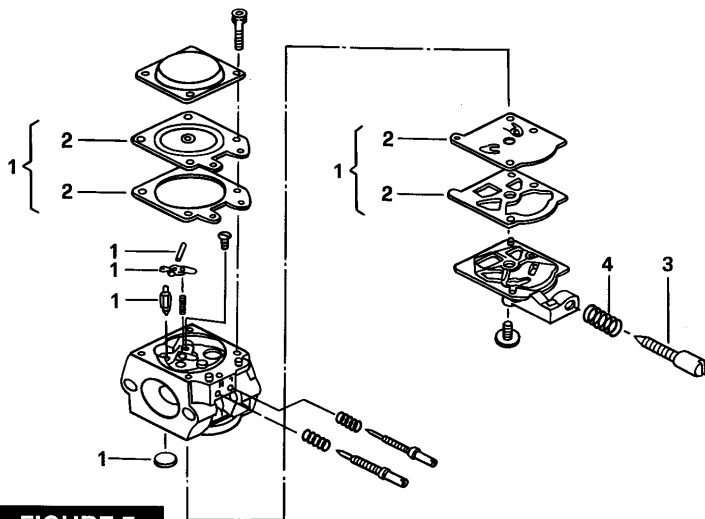


FIGURE 7

	PN ELX	PN McC	
C -	538000083	455-32915-90 WT517	1
B 1	● 538324013	324013	1
A 2	● 538229191	229191	1
C 3	● 538000165	462-25016-20	1
C 4	● 538000166	463-25006-20	1

A=ALTA ROTAZIONE
 B=MEDIA ROTAZIONE
 C=ALTA ROTAZIONE
 X = NUOVI CODICI

A=HIGH MOVING
 B=MEDIUM MOVING
 C=SLOW MOVING
 X = NEW PN

A=HAUTE DEMANDE
 B=MOYENNE DEMANDE
 C=BASSE DEMANDE
 X = NOUVELLES PN

A=GROBE NACHFRAGE
 B=MITTELMAESSIGE
 C=WENIGE NACHFRAGE
 X= NEU CODEX